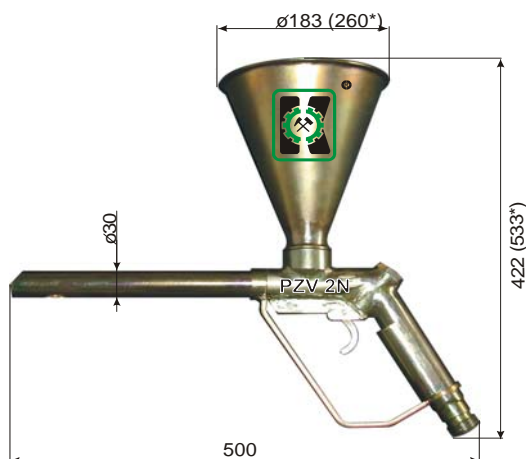


PNEUMATIC BLOWING-IN GUN PZV – 2N

Use and description:

Pneumatic blow-in gun **PZV 2N** (hereinafter only gun) is used especially for packing charges during blasting works in rocks and as well for filling empty bore and cavities, for packing during anchoring works etc. Sand with granularity 0.30 – 3 mm or other approved materials are used to depth up to 2 m using compressed air.

The gun is manufactured from steel, its surface is hot galvanized. It consists of a body equipped with ball valve with trigger, of transport pipe, feed- hopper and trigger cover. The gun is connected to the anti- static electricity hose with connecting screw Rd 32, which is not part of the gun delivery.



PZV 2N

Characteristics:

Type		PZV 2N
Packing material		dry sand, granularity 0.3 - 3 mm, event. other suitable loose material
Air pressure	MPa	0.4 –0.6
Connecting hose ID - DN	mm	20
Connecting screw part	mm	Rd 32
Feed-hopper – standard volume	dm ³	1.1
Feed-hopper- enlarged volume	dm ³	2
Gun dimensions w x l x h	mm	183 (260*)x500x422 (533*)
Gun weight	kg	2.6 (2.8*)

* for feed- hopper 2 dm³

Type marking:

PZV 2N
 PZV PNEUMATIC BLOW-IN GUN
 2 type number
 N explosionproof design

The product has been designed and constructed as the equipment group I (mine), category M2 according to the Directive 94/9/EC of the European Parliament and of the Council and meets the requirements for using in areas "dangerous atmospheric conditions 2" according to EN 1127-2+A1 on condition that all national regulations of the employer are fulfilled.

U Cementárny 1303/16
 703 00 Ostrava – Vítkovice, Czech Republic
[http:// www.koexpro.cz](http://www.koexpro.cz); www.koexpro.eu

phone: +420 595 782 251, +420 595 782 250
 fax: +420 596 633 923, +420 595 782 249
 e-mail: koexpro@koexpro.cz