

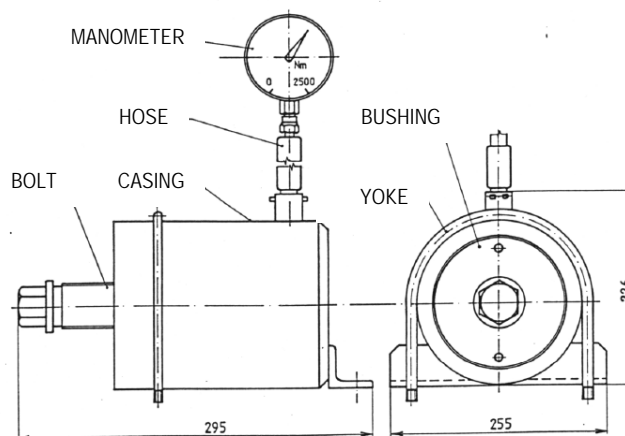
MEASURING CYLINDER VM 3000

Use and description:

Measuring cylinder **VM 3000** (hereinafter only cylinder) transmits the torsion moment to the oil hydraulic pressure and is used for measurement of the moment after the repair of hydraulic and pneumatic tighteners. The cylinder design and construction enables to reduce of shocks and so it is suitable for evaluation of tighteners working with impact principle.

Max. torsion moment depends on the manometer used for measurement. In standard version the manometer with pressure range 0 ÷ 25 MPa is used, which is corresponding to the max. moment of 2 025 Nm. Non standard version is equipped with manometer 0 ÷ 32 MPa (Mk up to 2 500 NM).

The cylinder consists of following parts: shell, piston, bushing, bolt and measuring device.



VM 3000

Characteristics:

Type		VM 3000	
		standard	non standard
Max. pressure in cylinder	MPa	25	32
Measuring manometer range	MPa	0 ÷ 25	0 ÷ 50
Range of measured moment	Nm	0 ÷ 2 025	0 ÷ 2 500
Cylinder piston diameter	mm	160	160
Pressure liquid		OH-HM 32	OH-HM 32
Dimensions	mm	255x402x251	255x402x251
Weight	kg	51.0	51.0

Type marking:

VM 3000
MEASURING CYLINDER
max. moment 2500 Nm

The product has been designed and constructed as equipment group I, category M2 (mine) according to the Directive 94/9/EC-ATEX of the European Parliament and the Council and meets the requirements for using it in area „hazardous atmospheric conditions 2“ according to EN 1127-2+A1 on conditions that all valid employer's regulations are fulfilled.

U Cementárny 1303/16
703 00 Ostrava – Vítkovice, Czech Republic
[http:// www.koexpro.cz](http://www.koexpro.cz); www.koexpro.eu

phone: +420 595 782 251, +420 595 782 250
fax: +420 596 633 923, +420 595 782 249
e-mail: koexpro@koexpro.cz