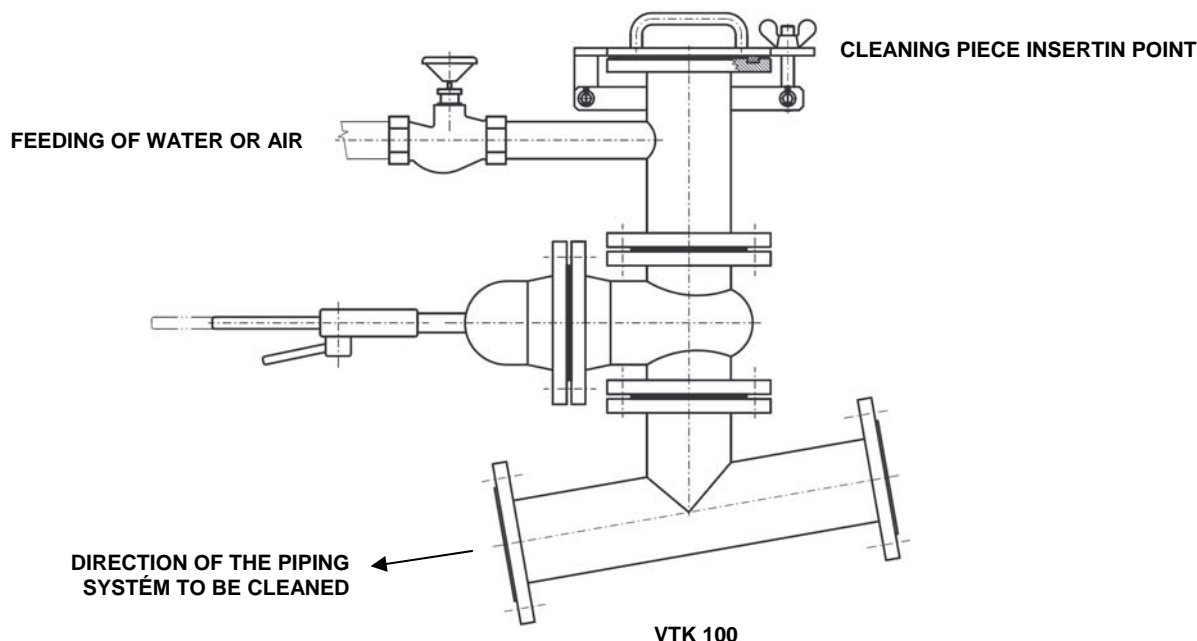


PUSHING PIECES BEDDING IN DEVICE VTK 100

Use and description:

Pushing pieces bedding in device **VTK 100** has been designed and constructed for inserting of molitane right parallelepiped or ball pieces for cleaning of the piping system. They are used as a part of technology line for pumping of slurries located in underground mine sump crosscuts, of high density slurries, for piping of ash containing mixtures when depositing them underground etc. The pushing pieces are inserted into this device VTK. The pieces are driven with pressure water or compressed air inside the dirty particle containing piping system. After going through the entire piping system length these pieces are caught in the Pressure pieces catching device ZTK 1 or ZTK 2 (products of the KOEXPRO OSTRAVA, a.s. company).



Characteristics:

Type		ZTK 1
Nominal ID		DN 100
Nominal pressure	MPa	4
Dimensions l x h x w	mm	958x789x210
Weight	kg	58.2

Type marking:

VTK 100
 VTK PUSHING PIECES BEDDING IN DEVICE
 100 type marking (ID)

The product has been designed and constructed as the equipment group I (mine), category M2 and equipment group II (mine surface installations), category 2 according to the Directive 94/9/EC-ATEX of the European Parliament and the Council and meets the requirements for using in areas "hazardous atmospheric conditions 2" according to EN 1127-2+A1 on condition that all national regulations are fulfilled by the employer.