

HAND HYDRAULIC DRILLING MACHINE VHR 42/75.1 WK (EMULSION DRIVE)

Use and description:

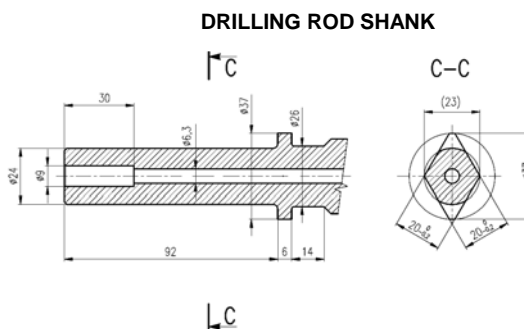
Hand hydraulic drilling machine type **VHR 42/75 WK** are used for drilling holes up to \varnothing 42 mm in soft and medium hard coal, soft rocks etc. in length up to 6 m. It is especially used in working faces with a distribution system of the working liquid – water emulsion.

The drilling machine consists of following main parts: hydraulic motor, tube frame with twin handle, spindle with sleeve for locking the drilling rod with rhombus shank (drilling rods are usually used with drilling bits \varnothing 38 up to \varnothing 42 mm), distribution cube and relief- valve.

Special hydraulic drive is used for driving the drilling machine designed for working medium – water emulsion HFA (1.50%). Hydraulic control circuit enables to set the rpm and torque and prevents to overcome the set torque.



VHR 42/75.1 WK



Characteristics:

Type		VHR 42/75.1 WK
Max. diameter of the drilling bit	mm	42
Max. pressure of the working liquid	MPa	32
Nominal torque	Nm	75
Relief valve setting	MPa	28
Max. rpm	$1 \cdot \text{min}^{-1}$	1 000
Working liquid flow rate at rpm 500 $1 \cdot \text{min}^{-1}$	$\text{dm}^3 \cdot \text{min}^{-1}$	11
Working medium	emulsion HFA with min. 1.5% concentration	
Filtration	μm	50
Hose connection	mm	STECK DN 10
Dimensions w x h x l	mm	180x480x270
Weight	kg	7.6

Type marking: **VHR 42/50.1 WK, VHR 42/75.1 WK**
 VHR HAND HYDRAULIC DRILLING MACHINE
 42/75.1 type
 WK WATER - KOEXPRO

The product has been designed and constructed as the equipment group I (mine), category M2 according to the Directive 94/9/EC of the European Parliament and the Council and meets the requirements for using in areas "hazardous atmospheric conditions 2" according to EN 1127-2+A1 on condition that all national regulations are fulfilled by the employer.