

## HANDHELD HYDRAULIC DRILLING MACHINE VHR 42/75.2 WK (EMULSION DRIVE)

### Use and description:

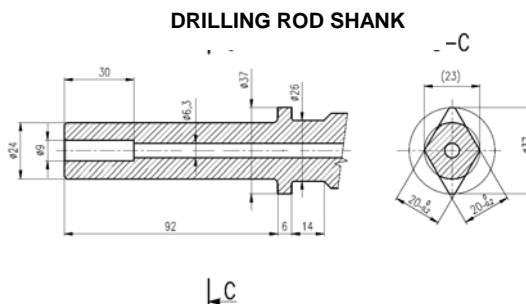
Handheld hydraulic drilling machine type **VHR 42/75.2 WK** have been designed and constructed for drilling holes with max.  $\varnothing$  42 mm with drilling rods and drilling bits in soft and medium hard coal, in soft rock etc. with length depending on the drilling diameter, rock strength and type of the drilling bit. It is especially used in extraction faces equipped with working medium – water emulsion distribution system.

**The drilling machine consists of following main parts:** hydraulic motor, tube frame with two handles located 90° towards each other. This design reduces the danger of injury due to “the digging in” of the drilling rod, of the spindle with sleeve for clamping of the drilling rod with rhombic shank (the drilling rods are usually equipped with drilling bits  $\varnothing$  38 up to  $\varnothing$  42 mm) of distribution cube with throttle valve and safety valve. The drilling machine VHR 42/75.2 WK is delivered with fastening unit enabling to use it together with a support post (e.g. VP 1200). The design (with patent protection) of the connection driving unit – drilling tool reduces the vibration loading of the operator.

The drilling machine is driven by the special hydraulic motor designed for feeding with the working medium – water emulsion HFA (min. 1.5%). Hydraulic control circuit enables to control the speed and to prevent the exceeding the set torque.



VHR 42/75.2 WK  
(with fastening)



### Characteristics:

| Type   | VHR 42/75.2 WK                             |                |
|--|--|----------------|
| Drilling bit max. diameter                     | mm   | 42             |
| Working medium max. pressure                   | MPa  | 32             |
| Nominal torque at nominal pressure and 300 rpm | Nm   | 75             |
| Setting of the safety valve = nominal pressure | MPa  | 28             |
| Max. speed                                     | rpm  | 100 ÷ 1 600    |
| Working medium flow rate at 300 rpm            | dm <sup>3</sup> .min <sup>-1</sup>         | 6.6            |
| Direction of rotation                          |  | anticlockwise  |
| Working medium                                 | emulsion HFA with min. 1.50% concentration |                |
| Filtration                                     | μm   | 50             |
| Connecting dimensions                          | mm   | Steck DN 10    |
| Dimensions w x h x l                           | mm   | 538x158x275.50 |
| Weight   | kg   | 8.6            |

Type marking:

VHR 42/75.2 WK  
HANDHELD HYDRAULIC DRILLING MACHINE  
type marking  
WATER KOEXPRO

The product has been designed and constructed as the equipment group I (mine), category M2 according to the Directive 94/9/EC-ATEX of the European Parliament and of the Council and meets the requirements for using in areas “hazardous atmospheric conditions 2” according to EN 1127-2+A1 on condition that all employer’s regulations are fulfilled.

U Cementárny 1303/16  
703 00 Ostrava – Vítkovice, Czech Republic  
[http:// www.koexpro.cz](http://www.koexpro.cz); [www.koexpro.eu](http://www.koexpro.eu)

phone: +420 595 782 251, +420 595 782 250  
fax: +420 596 633 923, +420 595 782 249  
e-mail: [koexpro@koexpro.cz](mailto:koexpro@koexpro.cz)