

ASSEMBLY PLATFORM ZD PMZD 1

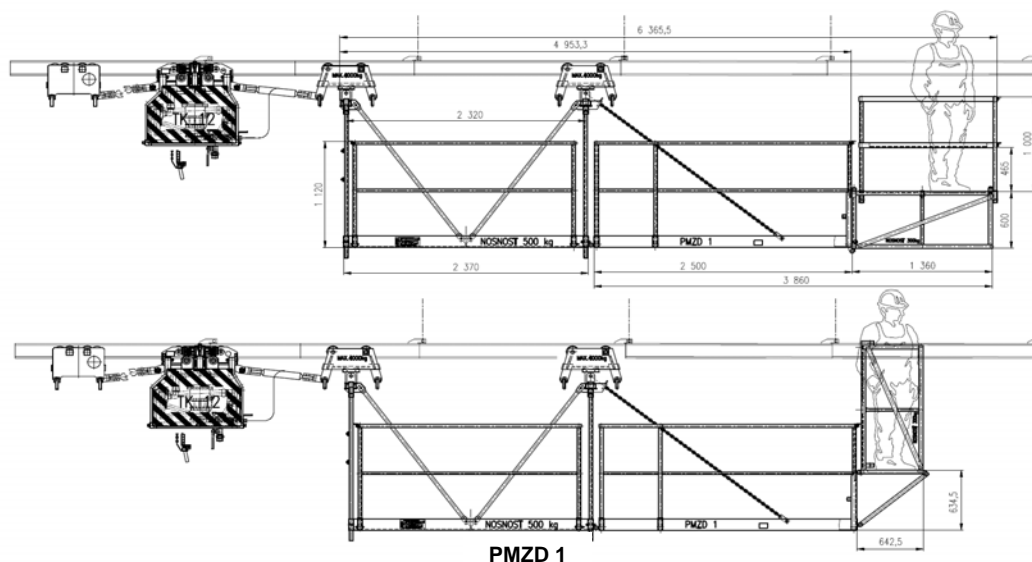
Use and description:

Assembly platform type **PMZD 1** (hereinafter only platform) is intended for the rapid assembly of the monorail transport system components in underground mine openings, which are not permanently equipped with this transport system, especially in case of transport during the salvage and new instalment operations. The loading capacity of the platform is 500 kg.

All steel structure consists of the fixed walkway, which is hanged on two monorail carrying trolleys. To the fixed walkway the tilting one is connected, to which it is possible to connect the auxiliary operation bridge. The platform is equipped with guard railing set, the individual parts of which are connected with pins. The auxiliary bridge is swivelling around the pin axis by ca 206°, and so it is possible to set it to three positions. Two positions are the operation ones and the third is for transport. In the operation position the bridge is equipped with guard railing. During transport it is possible to tilt the bridge into the tilting walkway. The loading capacity of the auxiliary operation bridge is 300 kg.

The travel of the platform is done with the mine locomotive or with monorail pulling crab (connected to the towing trolley) together with the brake trolley. The travel operation is possible to do only without the loading of the platform by the operators.

This platform is possible to redesign according to the operation conditions on the workplace. So that the redesigned platform will be marked as type PMZD2.



Characteristics:

Type		PMZD 1
Platform width	mm	1 220
Max. platform length (with bridge)	mm	6 230
Length of operation area (without bridge)	mm	4 870
Platform loading capacity	kg	500.0

Type marking: **PMZD 1**
 PMZD MONORAIL ASSEMBLY PLATFORM
 1 type marking

The product has been designed and constructed as the equipment group I (mine), category M2 and equipment group II (aboveground facilities), category 2 according to the Directive 94/9/EC-ATEX of the European Parliament and of the Council and meets the requirements for using in areas "hazardous atmospheric conditions 2" according to EN 1127-2+A1 on condition that all national regulations of the employer are fulfilled.