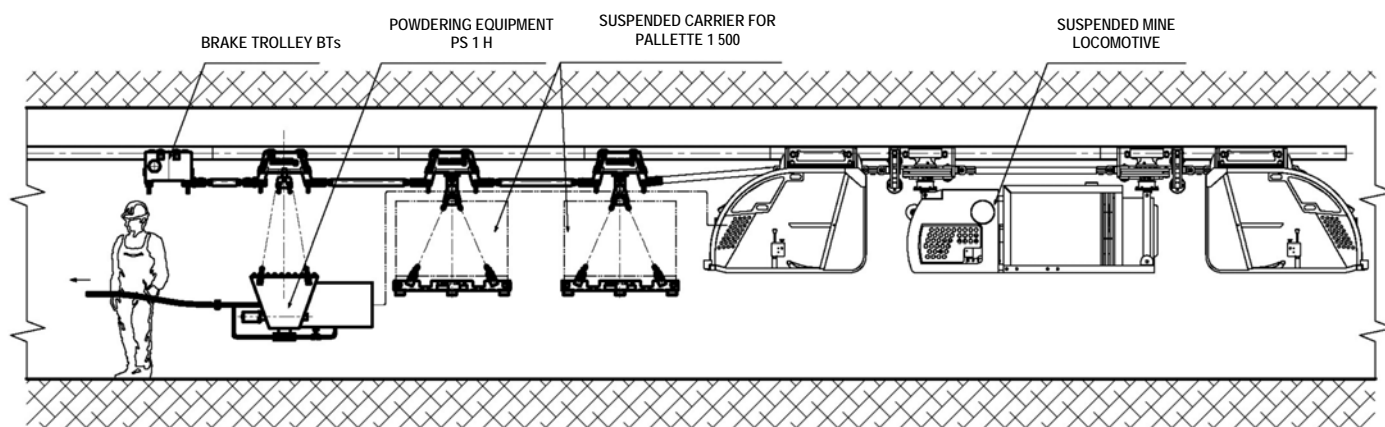


COAL MINE OPENING POWDERING SET PDC 2

Use and description:

The set **PDC 2** is intended for the powdering of mine openings according to the Public Notice 22/1989 Sb. It consists of equipments for transport of powder material on the monorail transport system underground and enables the hand powdering operation. The set consists of the suspended mine locomotive – source of the pressure hydraulic oil for feeding the powdering equipment PS 1 H and for travelling of the set along the mine openings further of the suspended carriers ZNP 1500 hanged on the carrying trolleys. On the suspended carriers the EURI pallets are placed for the transport of bags with the powdering material. This material is taken off step by step and fed into the container of the powdering equipment PS 1 hanged on the behind located carrying trolley. The powdering equipment operation is the same as the pneumatic transport. The powdering material is entrained by the air flow. With the hose ID 50 mm handled by the operator the powder is applied on the opening surface in the compliance with the requirements of the Public Notice. It is possible to control the quantity of the powder in the air. When operating the set in the inclined openings, the brake trolleys are in action.

The advantage of this set is that no external energy source is necessary and the powdering operation is very rapid and effective. In some cases it is possible to use this set as a source of the compressed air for feeding pneumatic machines and equipment



Characteristics:

Type		PDC 2
Max. air pressure	MPa	0.7
Feeding of air	dm ³ .min ⁻¹	5 200
Max. speed on horizontal line section	m.s ⁻¹	1.89
Line section inclination	°	± 20°
Pallet carrier loading capacity	kg	1 500.0
Powdering hose ID	mm	50
Technical output	m.hod ⁻¹	200

The product has been designed and constructed as the equipment group I, category M2 (mine) according to the Directive 94/9/EC-ATEX of the European Parliament and of the Council and meets the requirements for using in areas "hazardous atmospheric conditions 2" according to EN 1127-2+A1 on condition that all national regulations of the employer are fulfilled.